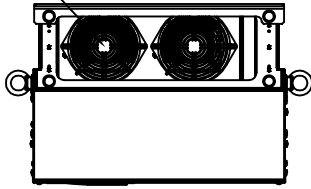
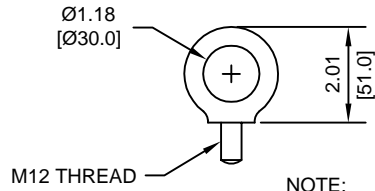


(2) EXTERNAL COOLING FANS

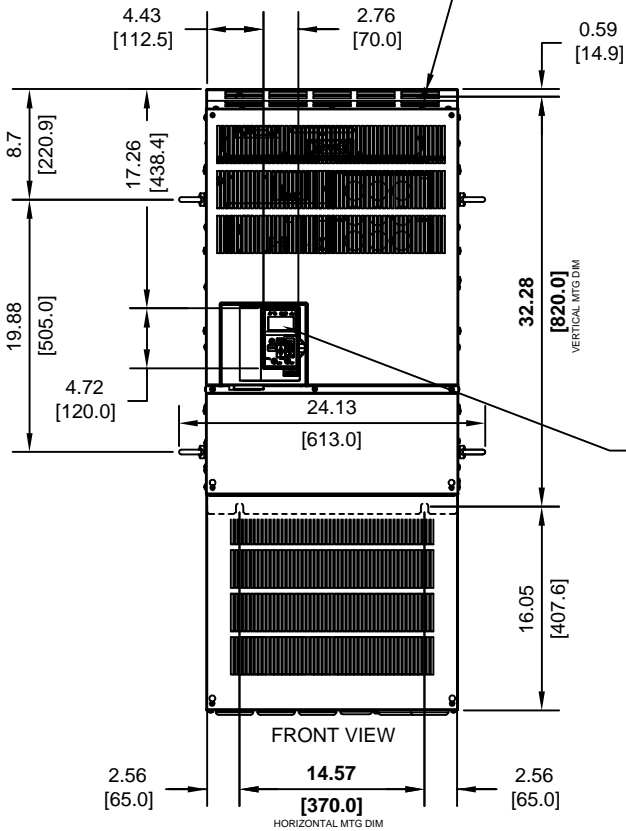


LIFTING AND EYEBOLT DETAILS



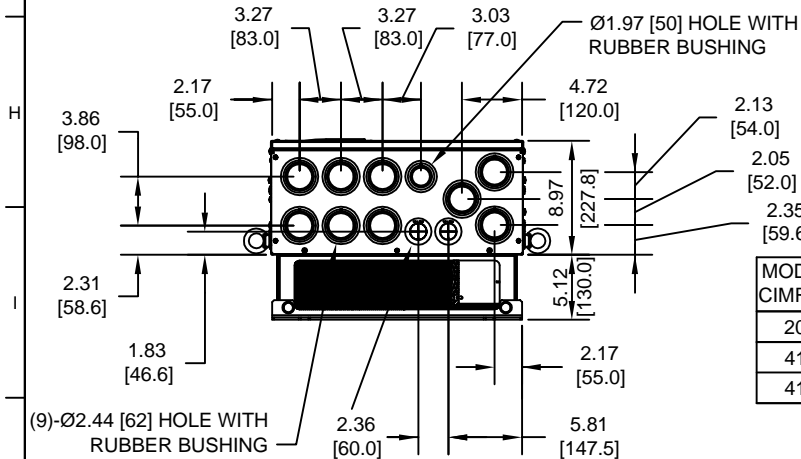
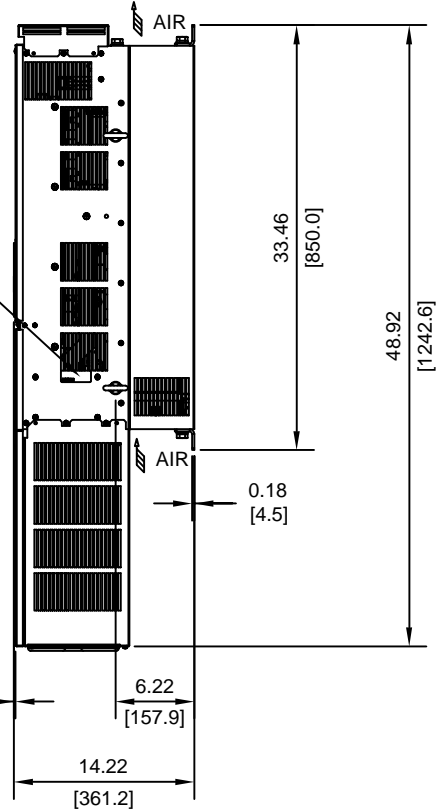
NOTE:  
SPREADER BAR REQUIRED TO AVOID DAMAGE DURING LIFTING

(4)-MOUNTING HOLES FOR 1/2"[M12] SCREWS



NAMEPLATE

DIGITAL OPERATOR



MODEL # CIMR-E7U	VOLTAGE (VAC)	OUTPUT CURRENT (A)	WEIGHT LBS (Kg)	HEAT LOSS (W)		
				INT	EXT	TOTAL
2090	208/230	360	251 (114)	964	2194	3158
4110	480	240	268 (122)	847	1889	2736
4132		260	286 (130)	1005	2388	3393

INT=INTERNAL COMPONENTS  
EXT=EXTERNAL HEATSINK

FOR ADDITIONAL DETAILS AND SPECIFICATIONS, CONSULT MANUAL

TOLERANCES/REFERENCES:

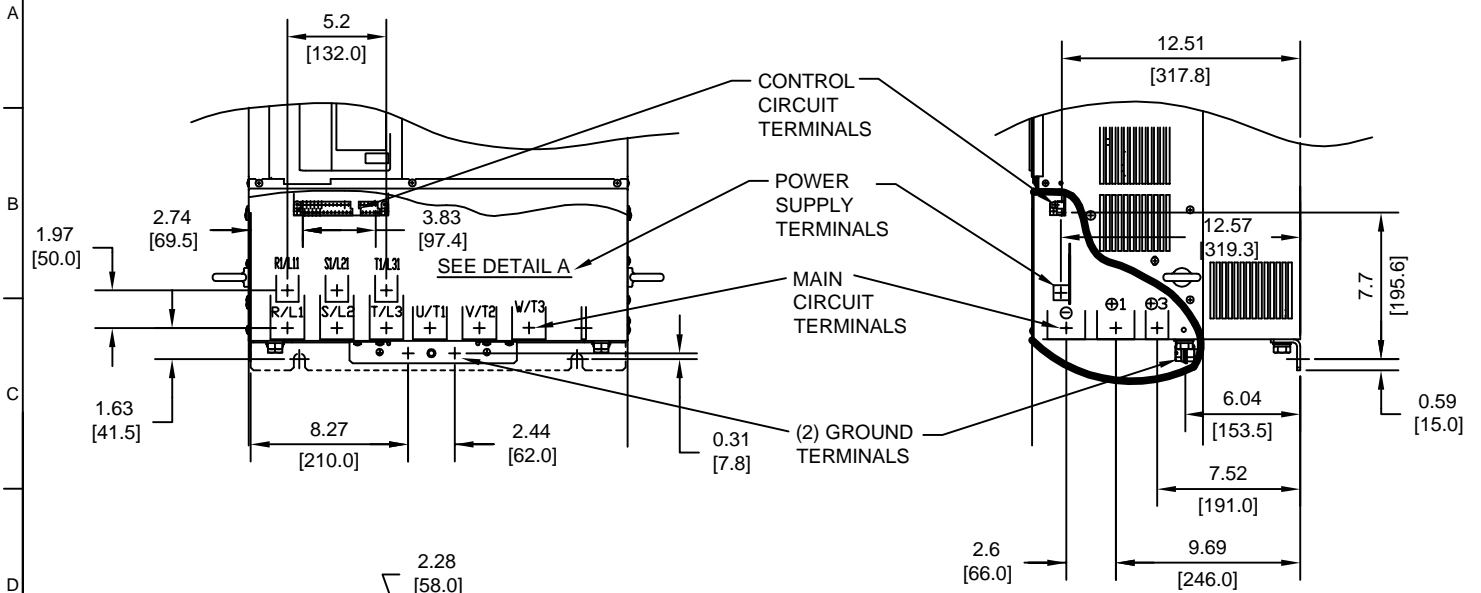
UNITS: IN[mm] SCALE: 1:15

**YASKAWA**  
A World of Automation Solutions™

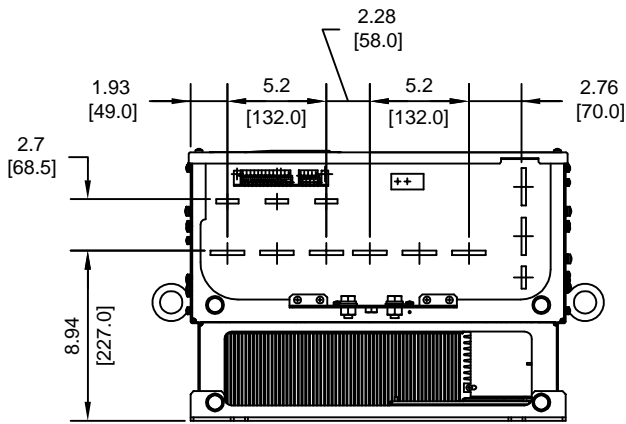
YASKAWA ELECTRIC AMERICA, INC.  
Corporate Headquarters  
2121 Norman Drive South  
Waukegan, IL 60085  
1-800-YASKAWA  
http://www.yaskawa.com

DRAWN: J. MATTAS	DATE 3-30-05	TITLE: E7 DIMENSION DRAWING
CHECKED: M. RUCINSKI	DATE 5-3-05	FRAME SIZE 11
TECH: J. CAIRO	DATE 3-31-05	NEMA TYPE 1/P20 ENCLOSURE
APPROVED: T. SASADA	DATE 6-8-05	E7U2090, 4110 TO 4132
ORIGINAL DESIGN: -	DATE -	SIZE: A REVISION: R00 PAGE: 1 of 3
DRAWING #: DD.E7.FR11.N1.01		

TERMINAL AND WIRING DETAILS (SCALE 1:10)

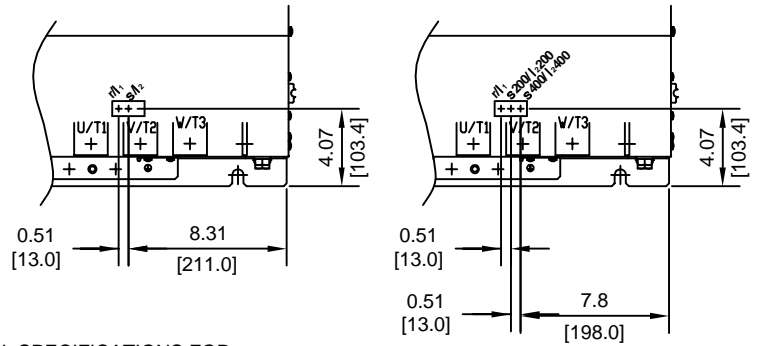


DETAIL A (SCALE 1:10)



MODEL E7U2090

MODELS E7U4110 AND E7U4132



TERMINAL SPECIFICATIONS FOR MAIN CIRCUIT AND GROUND

MODEL # CIMR-E7U	TERMINAL SYMBOL	TERMINAL SCREW	CLAMPING TORQUE lb.in.(N.m.)
2090	R/L1, S/L2, T/L3, ⊕1, ⊕3, U/T1, V/T2, W/T3, R1/L11, S1/L21, T1/L31	M12	276 TO 345 (31.4 TO 39.2)
	⊕3	M8	78.0 TO 95.0 (8.8 TO 10.8)
	r1 1, s/2	M4	11.4 TO 12.3 (1.3 TO 1.4)
4110	R/L1, S/L2, T/L3, ⊕1, ⊕3, U/T1, V/T2, W/T3, R1/L11, S1/L21, T1/L31	M10	155 TO 198 (17.6 TO 22.5)
	⊕3	M8	78.0 TO 95.0 (8.8 TO 10.8)
	⊕3	M12	276 TO 345 (31.4 TO 39.2)
	r1 1, s200/2200, s400/2400	M4	11.4 TO 12.3 (1.3 TO 1.4)
4132	R/L1, S/L2, T/L3, ⊕1, ⊕3, U/T1, V/T2, W/T3, R1/L11, S1/L21, T1/L31	M10	155 TO 198 (17.6 TO 22.5)
	⊕3	M8	78.0 TO 95.0 (8.8 TO 10.8)
	⊕3	M12	276 TO 345 (31.4 TO 39.2)
	r1 1, s200/2200, s400/2400	M4	11.4 TO 12.3 (1.3 TO 1.4)

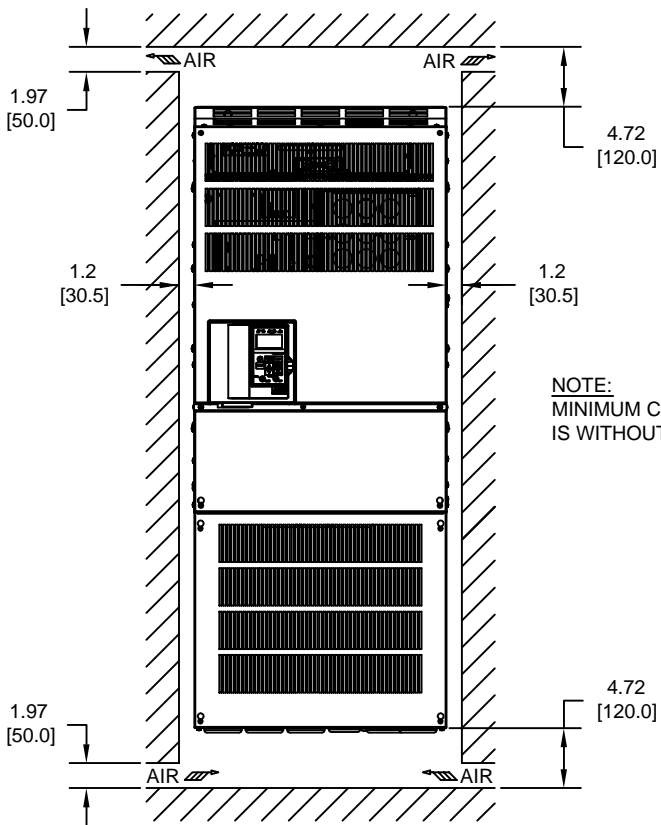
NOTE: REFER TO APPLICABLE CODES FOR PROPER WIRE TYPE AND SIZE

FOR ADDITIONAL DETAILS AND SPECIFICATIONS, CONSULT MANUAL

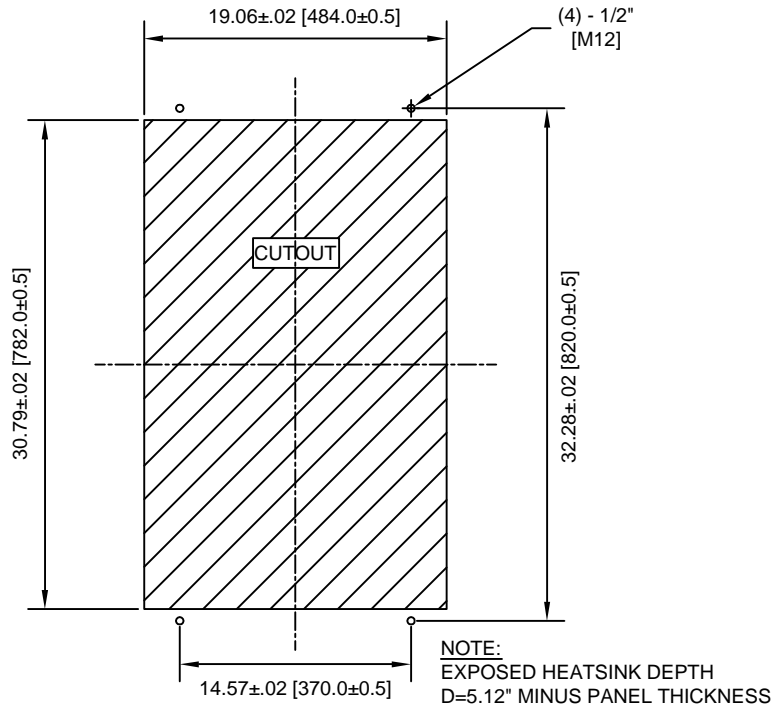
TOLERANCES/REFERENCES: - - - - -	<p><b>YASKAWA</b> A World of Automation Solutions™</p> <p>YASKAWA ELECTRIC AMERICA, INC. Corporate Headquarters 2121 Norman Drive South Waukegan, IL 60085 1-800-YASKAWA http://www.yaskawa.com</p>	DRAWN: J. MATTAS	DATE 3-30-05	TITLE: E7 DIMENSION DRAWING			
		CHECKED: M. RUCINSKI	DATE 5-3-05	FRAME SIZE 11			
		TECH: J. CAIRO	DATE 3-31-05	NEMA TYPE 1/P20 ENCLOSURE			
		APPROVED: T. SASADA	DATE 6-8-05	E7U2090, 4110 TO 4132			
UNITS: IN[mm]	SCALE: BY VIEW	ORIGINAL DESIGN: -	DATE -	<table border="1"> <tr> <td>SIZE A</td> <td>REVISION R00</td> <td>PAGE 2 of 3</td> </tr> </table>	SIZE A	REVISION R00	PAGE 2 of 3
SIZE A	REVISION R00	PAGE 2 of 3					

DD.E7.FR11.N1.01


MINIMUM INSTALLATION CLEARANCES (SCALE 1:15)



PANEL CUTOUT FOR EXTERNAL HEATSINK MOUNTING CONFIGURATION (SCALE 1:12)



FOR ADDITIONAL DETAILS AND SPECIFICATIONS, CONSULT MANUAL

TOLERANCES/REFERENCES: -		 <b>YASKAWA</b> <i>A World of Automation Solutions™</i> <b>YASKAWA ELECTRIC AMERICA, INC.</b> Corporate Headquarters 2121 Norman Drive South Waukegan, IL 60085 1-800-YASKAWA <a href="http://www.yaskawa.com">http://www.yaskawa.com</a>	DRAWN: <b>J. MATTAS</b> DATE: <b>3-30-05</b>	TITLE: <b>E7 DIMENSION DRAWING</b>
UNITS: <b>IN[mm]</b>	SCALE: <b>BY VIEW</b>		CHECKED: <b>M. RUCINSKI</b> DATE: <b>5-3-05</b>	DATE: <b>5-3-05</b>
		TECH: <b>J. CAIRO</b> DATE: <b>3-31-05</b>	DATE: <b>3-31-05</b>	SIZE: <b>A</b> REVISION: <b>R00</b> PAGE: <b>3 of 3</b>
		APPROVED: <b>T. SASADA</b> DATE: <b>6-6-05</b>	DATE: <b>6-6-05</b>	DRAWING #: <b>DD.E7.FR11.N1.01</b>
		ORIGINAL DESIGN: -	DATE: -	